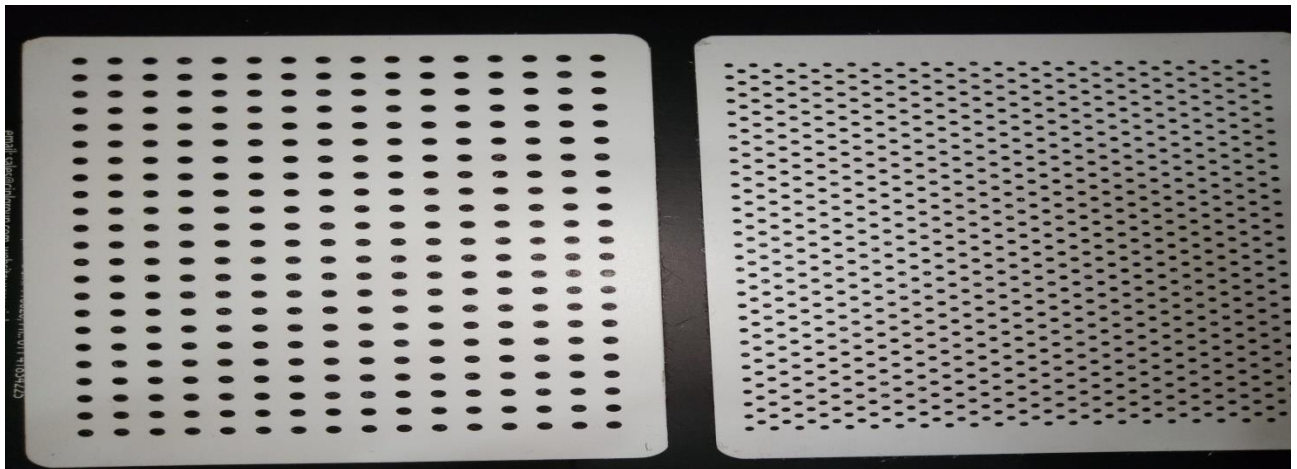


SS. MS/GI Powder Coated Ceilings



Metal Ceiling Tiles

Metal ceiling tiles are a perfect solution to enhance the beauty of your space while at the same time making the space available for all wiring and ducting. Brillante makes these metal ceilings available to you in three finishes vis-a-vis plain, perforated and micro perforated, and there is a wide range of sizes, edges and materials to choose from.

The metal tiles provide very effective solutions to achieve sound absorption with the use of perforated ceiling tiles, backed with non woven glass fibre acoustic fleece.

The extent of sound absorption is measured in NRC (Noise Reduction Co-efficient) which is the average of the measured sound absorption co-efficient at the four one third octave band frequencies of 250, 500, 1000 & 2000 Hz.

Owing to the high effectiveness and utility, these tiles find a huge demand for all types of constructions.

The full range of ceiling tiles available are as follows:

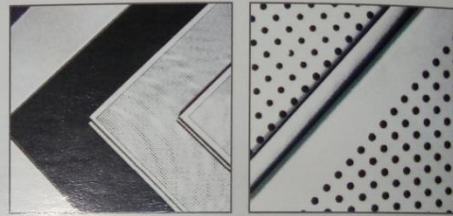
(A) Lay-in Flush / Tegular Tiles

(B) Beveled Edge Tiles

Properties

The perforated tiles are very effective in absorbing the noise falling on them.

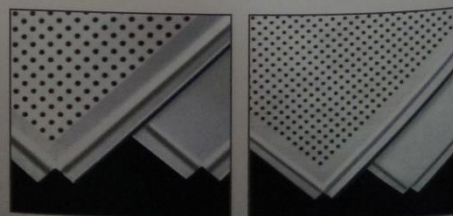
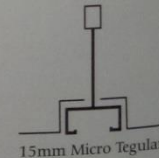
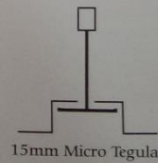
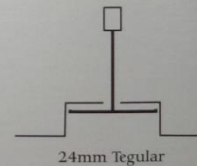
We are able to achieve NRC (Noise Reduction Co-efficient) of 0.70-0.73 with the use of non-woven glass fibre acoustic fleece pasted on the backside of the tile.



Lay-in Tiles

Lay-in Tiles

Sizes	600 x 600 300 x 1200 Planks
Edges	Tegular Tiles T-24: To lay in 24mm T-Grid System T-15: To lay in 15mm T-Grid System
Materials	Pre Coated/ Powder Coated GI/ Aluminium
Types	Plain Tiles Perforated Tiles Micro-perforated Tiles

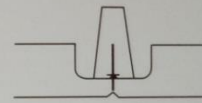


Clip-in Tiles

Clip-in Tiles

Clip-in Tiles are press fit tiles fixed to the concealed clip in profile which is suspended from the slab by means of the dash fastener & GI wire with keel level adjustment.

Sizes	600 x 600 300 x 1200 Planks
Edges	Beveled Edge
Materials	Pre Coated/ Powder Coated GI/ Aluminium
Types	Plain Tiles Perforated Tiles Micro-perforated Tiles



Beveled Edge





We offer a wide range of standard panel types and systems that cover most general requirements for metal ceilings while delivering high quality specialized and custom solutions at a cost effective price. Whatever your requirements, Canco Fasteners will Endeavour to integrate your lighting, air conditioning, acoustic, information technology, environmental and fire protection needs into one harmonious metal ceiling solution.

Range:

- Stainless Steel Ceilings.
- Coil Coated Steel Ceiling.
- Aluminum/GI -Powder Coated Ceilings.

Custom fabricated/Tailor made Plain/Perforated galvanized Steel Panel Ceiling System Including all the components of suspension system. The system has been used extensively in many Metro stations.



Open Cell Ceiling: -

Canon Open cell metal ceiling is suitable for all types of areas and is available in number of cell sizes. The monolithic appearance of it is achieved by integration of grid into the ceiling design.

Box Curtain Open Ceiling



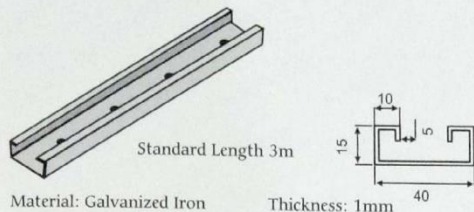
Box Curtain Ceiling

Area of Application: Public building with big area, such as airport, railway station and metro station.
Box Curtain Closed are also available in wooden finish.

Accessories

C-1 keel

The installation space is adjustable. The space of holes shall be confirmed according to the installation space.

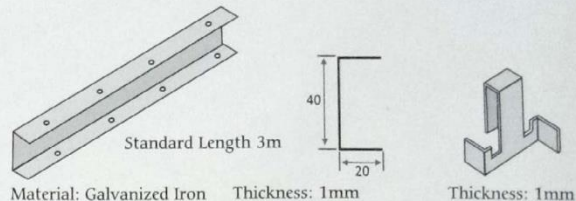


Material: Galvanized Iron

Thickness: 1mm

C-2 keel

The installation space is adjustable. The space of holes shall be confirmed according to the installation space.



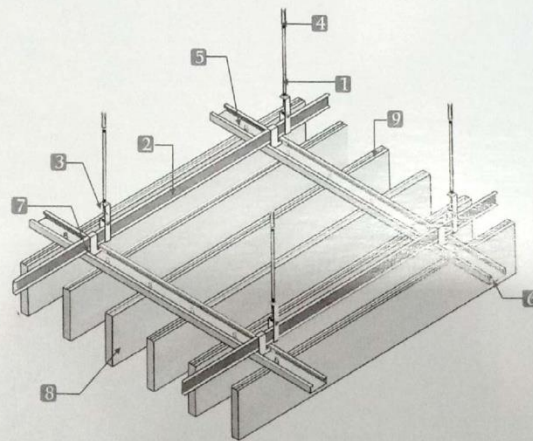
Material: Galvanized Iron

Thickness: 1mm

Thickness: 1mm

Parameter of Box Curtain Ceiling

Width (W)	Height (H)	Thickness (H)	Length (L)	Legend
25	80	0.8-1.0	Customized	
25	100			
30	40			
30	75			
30	100			
40	60			
40	70			



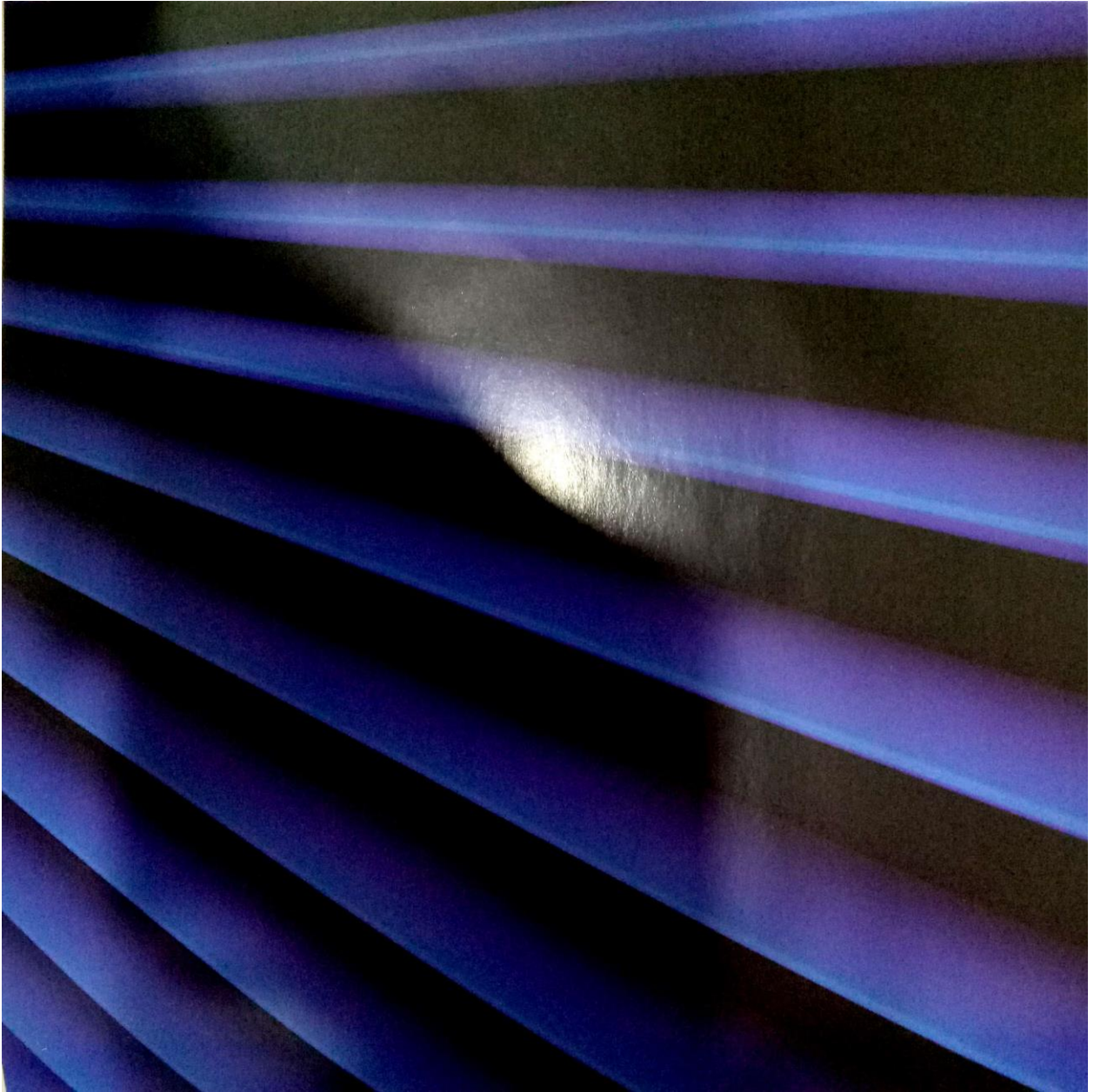
- 1 Hanging pole
- 2 38 main keel
- 3 Hanging parts of 38 main keel
- 4 Explosive bolt
- 5 Bolt and nut
- 6 C-1 keel
- 7 Hanging parts of C-1 keel
- 8 Body of box curtain
- 9 Shaping rod

Installation of the Box Curtain Suspended Ceiling with upper suspending system: most standard installation method.

1. Brush the facilities on the suspended rod into black.
2. Lift the 38 main keel with hanging pole, explosive bolt and 38 main hanger.
3. Connect the C-1 keel and the upper 38 main keel with C-1 hanger, adjust the whole hanging system to level.
4. Fix the box curtain body onto the C-1 keel with bolts and caps.



Bullet-shaped Baffle ceiling Series



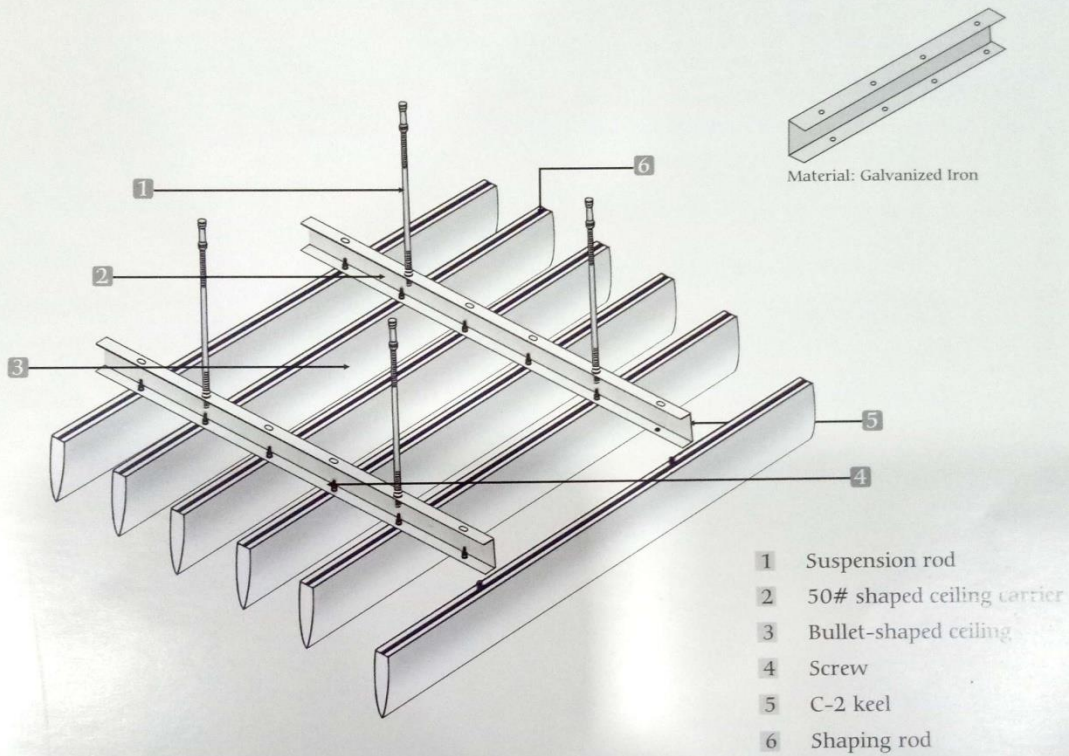
Bullet-shaped Baffle Ceiling

Area of Application: Public building with big area, such as airport, railway station and metro station.

Accessories

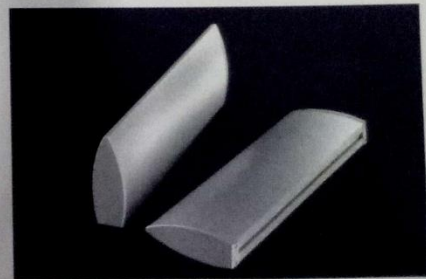
C-2 keel

The installation space is adjustable. The space of holes shall be confirmed according to the installation space.



Installation of the Bullet-shaped Baffle Ceiling with upper suspending system: most standard installation method.

1. Brush the facilities on the suspended rod into black.
2. Connect the C-2 keel. Adjust the whole hanging system to level.
3. Fix the Bullet-shaped Baffle ceiling onto the C-2 keel with bolts and caps.



Contact Details

- **Office Address: B6/2, DDA Commercial Complex Safdarjung Enclave, New Delhi – 110029 .**

Email : Info@cancofasteners.com

Phone No- 011-42525500

- **Factory Address: A-63/2, G.T. Karnal Road Industrial Area, Azadpur Delhi -110033 India.**

Email: Info@cancofasteners.com

Phone No- 011-65656669/ 011-27240828

Website: www.cancofasteners.com